

# 5-IN-1 MULTIFUNCTION BUCKET MFS



## Application:

The massive multifunction bucket from Hauer combines five different functions into one professional tool. The bucket is perfect for digging and soil handling when closed and equally perfect for grading when opened. It also grabs bulk materials and unloads them in a controlled way thanks to the folding feature which increases the dump height to 900mm.

## Operating principle:

The moving part of the bucket is made to the robust box girder design. The right-angle edge at the rear is perfect for grading in reverse. Cutting edges from high-grade steel protect the front end when grading forward with the opened bucket and also the front and back of the moving part.

All hydraulic components are protected by a pressure relief valve.

## Advantages:

- Five functions built into one bucket for maximum versatility
- Robust design
- Serrated sides fix the material in place
- Pressure relief valve gives perfect protection to all hydraulic components



INNOVATION WITH TRADITION FOR LIFE.

## Technical data:

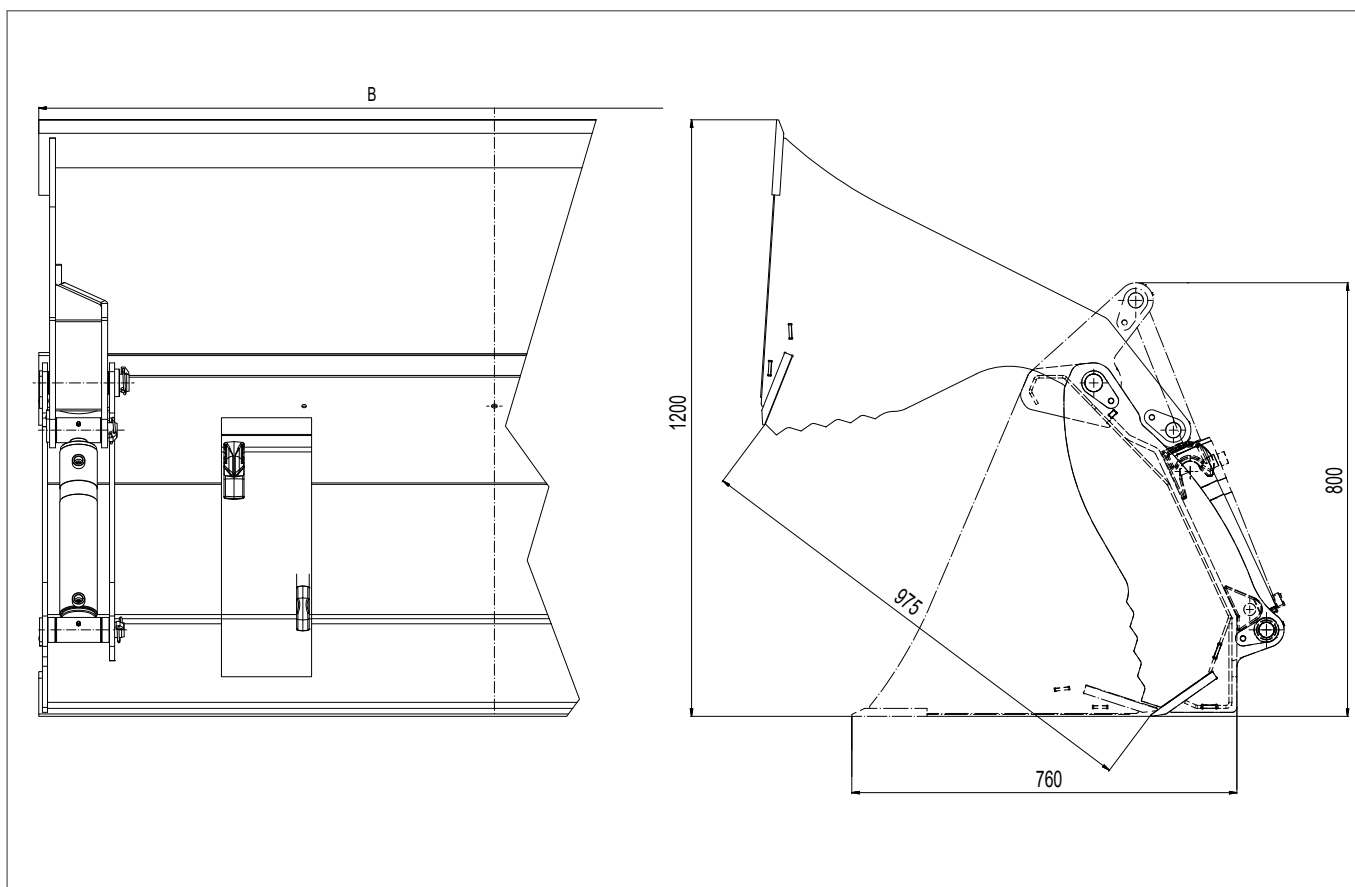
Width B mm	Volume m <sup>3</sup>	Depth mm	Height H1 mm	Height H2 mm	Max. jaw opening mm	Weight kg
1600	0,53	760	800	1200	975	364
1800	0,60					392
2000	0,67					419
2200	0,73					471
2400	0,80					501

## Standard specification:

- SWE-B mount (Hauer system) or SWE-Euro mount (Euro Hook)
- Standard Hauer orange or Hauer matt black paint finish

## Options:

- Multiple mount options
- Paint finish in all RAL colours
- Pressure relief valve for working pressure higher than 190 bar



© Hauer 09/2020. Images shown may differ from standard delivery. Errors excepted and technical changes reserved.



Franz Hauer GmbH & CoKG, A-3125 Statzendorf, Werksstraße 6,

Tel.: +43 / (0)2786 / 7104-0, info@hfl.co.at | www.hfl.co.at